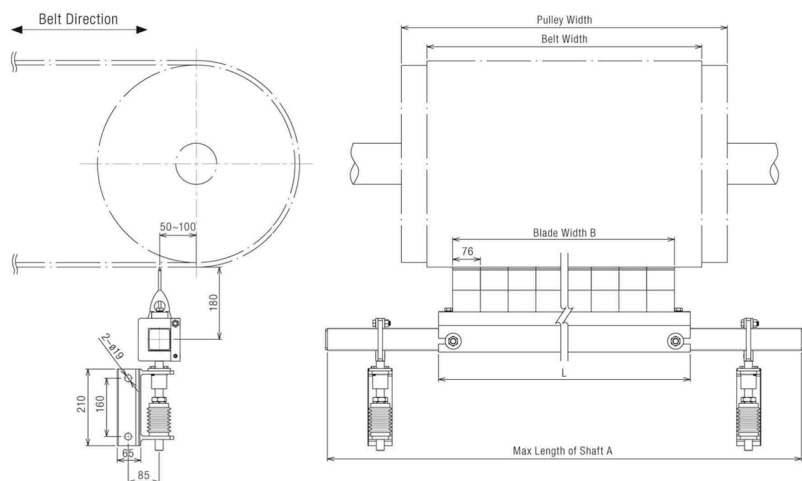


REVERSIBLE BELT CLEANER – SBC2D



Reversible Tungsten Carbide Blade
SBC2D



FEATURES

LONGER LIFETIME

Vulcanized with tungsten carbide, rubber made blades have longer lifetime.

EXCELLENT ELASTICITY AND STRENGTH

By elasticity of rubber, blades constantly contact with belt under suitable pressure to achieve better scraping performance. In addition, rubber can avoid belt from damage of blade by absorbing external force.

REVERSIBLE

Blades are suitable for reversible belt conveyor.

EASY

By modular design, screw tensioners are easy to install and maintain.

APPLICATION

Suitable for conveying material, such as coal, coke, sinter, salt, iron ore, fertilizer, limestone, sandstone, sulfur, etc.

Unit: mm [in]

Model	Belt Width	Max Length of Shaft A	Blade Width B	L	TIP Q'TY [N]
-060	600 [24]	1650 [65]	532 [21]	613 [25]	7
-065	650 [26]	1750 [69]	608 [24]	690 [28]	8
-075	750 [30]	1800 [71]	684 [27]	766 [31]	9
-080	800 [31]	1900 [75]	760 [30]	842 [34]	10
-090	900 [35]	1950 [77]	836 [33]	918 [37]	11
SBC2D -100	1000 [40]	2100 [83]	912 [36]	995 [40]	12
-105	1050 [42]	2150 [85]	988 [39]	1071 [43]	13
-120	1200 [48]	2250 [89]	1140 [45]	1223 [49]	15
-140	1400 [54]	2450 [96]	1292 [51]	1375 [55]	17
-160	1600 [63]	2750 [108]	1444 [57]	1604 [64]	19
-180	1800 [72]	2950 [116]	1748 [69]	1833 [73]	23
-200	2000 [78]	3150 [124]	1900 [75]	1985 [79]	25