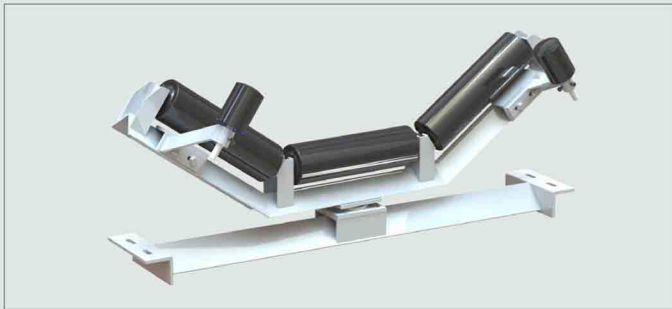


# SELF TRAINING

## Carrying Idler / Return Idler

Self-Training Carrying Idler



Self-Training Return Idler



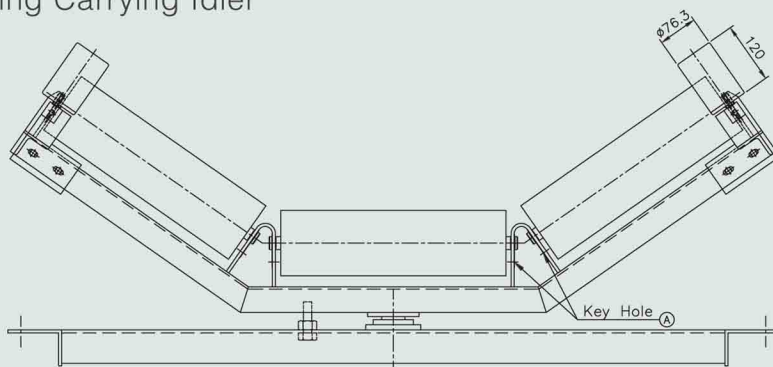
The Self-Training Carrying/Return Idlers are used among normal carrying/return idlers. In the case the belt to miss-aligned due to material accumulation on the belt, unevenly loading or wet condition of bottom of the belt, their upper frames swivel around vertical pivot to center the belt.

## SPECIFICATION

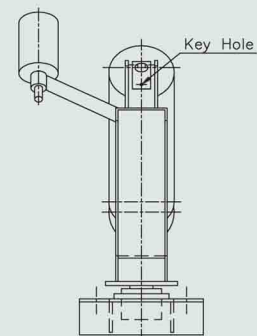
### Belt Width

20"/24"/30"/36"/42"/48"/54"/60"/72"

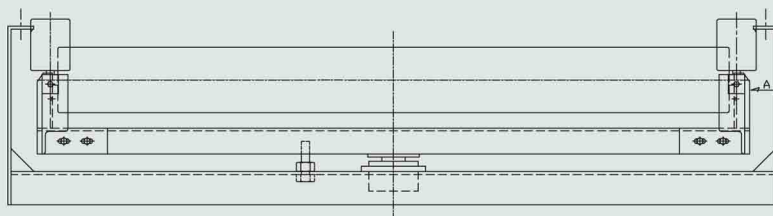
### Self-Training Carrying Idler



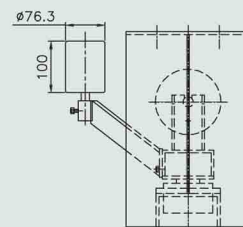
BELT DIRECTION



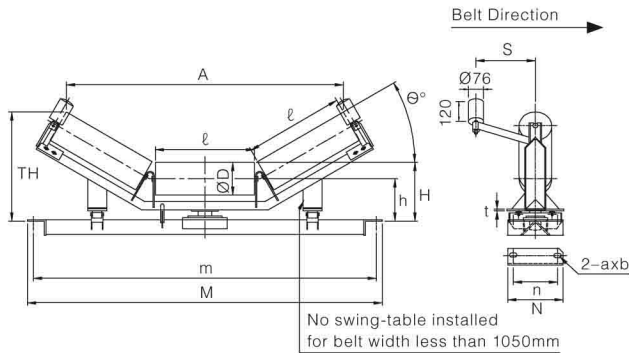
### Self-Training Return Idler



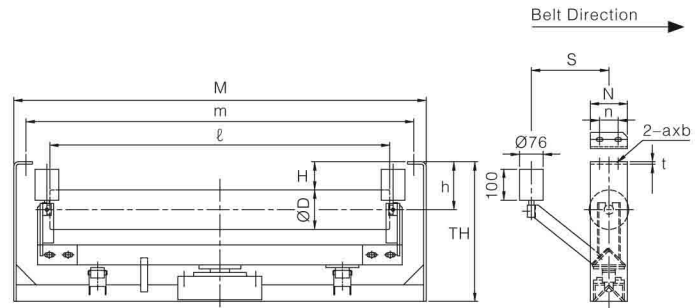
BELT DIRECTION



### Self-Training Carrying Idler JC1T



### Self-Training Return Idler JR1T



## SPECIFICATION: Self-Training Carrying Idler

Unit: mm

Model	Belt Width	$\Theta=30^\circ$		$\Theta=35^\circ$		$\Theta=40^\circ$		$\Theta=45^\circ$		S	ØD	l	m	M	n	N	h	H	t	axb
		A	TH	A	TH	A	TH	A	TH											
JC1T-040-Θ	400	444	273	427	277	406	286	383	294	200	89.1	145	640	690	140	190	135	180	6	15x25
-045-Θ	450	498	283	480	289	457	299	432	308	200	89.1	165	690	740	140	190	135	180	6	15x25
-050-Θ	500	539	291	519	297	494	309	468	319	200	89.1	180	740	790	140	190	135	180	6	15x25
-060-Θ	600	621	321	583	339	553	353	522	364	200	89.1	210	840	890	150	200	150	195	6	15x25
-075-Θ	750	759	369	730	389	695	406	657	424	250	114.3	265	1040	1090	160	210	160	217	6	15x25
-090-Θ	900	895	394	862	418	821	439	778	459	250	114.3	315	1190	1240	160	210	160	217	6	15x25
-105-Θ	1050	1040	464	1008	492	960	517	908	540	250	139.8	370	1340	1390	180	230	190	260	9	15x25
-120-Θ	1200	1176	489	1140	521	1086	549	1029	575	250	139.8	420	1490	1540	180	230	190	260	9	15x25
-140-Θ	1400	1382	610	1344	648	1281	682	1224	715	300	165.2	500	1730	1790	280	350	265	348	9	19x29
-160-Θ	1600	1601	650	1555	694	1483	733	1417	771	300	165.2	580	1930	1990	280	350	265	348	9	19x29
-180-Θ	1800	1792	715	1735	764	1678	811	1592	852	300	165.2	650	2220	2280	330	400	295	378	9	19x29
-200-Θ	2000	2010	755	1964	810	1880	863	1785	909	300	165.2	730	2420	2480	330	400	295	378	9	19x29

## SPECIFICATION: Self-Training Return Idler

Unit: mm

Model	Belt Width	S	ØD	l	m	M	n	N	h	H	TH	t	axb
JR1T -040	400	200	89.1	460	640	700	60	105	100	65	310	6	15x25
-045	450	200	89.1	510	690	750	60	105	100	65	310	6	15x25
-050	500	200	89.1	560	740	800	60	105	100	65	310	6	15x25
-060	600	200	89.1	660	840	900	60	105	100	65	310	6	15x25
-075	750	250	114.3	850	1040	1100	60	120	100	53	335	6	15x25
-090	900	250	114.3	1000	1190	1250	60	120	100	53	335	6	15x25
-105	1050	250	139.8	1150	1340	1400	100	185	120	60	400	6	15x25
-120	1200	250	139.8	1300	1490	1550	100	185	120	60	400	6	15x25
-140	1400	300	165.2	1530	1730	1800	120	220	150	77	535	9	19x29
-160	1600	300	165.2	1730	1930	2000	120	220	150	77	535	9	19x29
-180	1800	300	165.2	2000	2220	2290	120	220	150	77	535	9	19x29
-200	2000	300	165.2	2200	2420	2490	120	220	150	77	535	9	19x29